

# THE M5

COMPETITION



Best viewed in  
landscape mode





# THE NEW BMW M5 COMPETITION.

RETURN BY CLICKING [🏠](#)  
SELECT A TOPIC BELOW TO EXPLORE:



## FEATURED MODEL. BMW M5 COMPETITION:

M TwinPower Turbo eight-cylinder petrol engine, 625hp (460kW), 20" M Double-spoke style 706 M wheels in Jet Black with mixed tyres, BMW Individual Imola Red metallic paint, M multi-functional seats in Full Merino leather in Black and Aluminium Carbon structure dark interior trim with dark Chrome highlight.

Content correct at time of publishing (as of January 2021). Prices and technical data subject to change. The models shown on these pages may feature optional equipment. Standard equipment may also vary depending on engine variant. For further details, please contact your local BMW Centre.





UNCONTESTED.  
SHARPENED.



UNRIVALLED PERFORMANCE.



PERFECTLY MASTERED.



M5 COMPETITION.



The new BMW M5 Competition is shown above in BMW Individual Imola Red metallic paint.

■ Standard equipment □ Optional equipment



# M5 COMPETITION.



## EXTERIOR

- M rear spoiler
- M Compound brakes, High-gloss Red
- Carbon fibre roof
- 20" M light alloy Y-spoke style 789 M wheels in Bicolour with mixed tyres
- BMW Individual Lights Shadowline
- BMW Individual High-gloss Shadowline with extended contents, comprises of:
  - M5 Competition designation to boot lid in Black
  - Mirror caps in High-gloss Black
  - Rear apron insert in High-gloss Black
  - Side gills with M5 designation in High-gloss Black
  - Kidney grille in High-gloss Black with M5 designation
- M Sport exhaust system
- Exhaust tailpipes, Black
- Sun protection glass
- Dynamic brake lights with LED technology

## INTERIOR

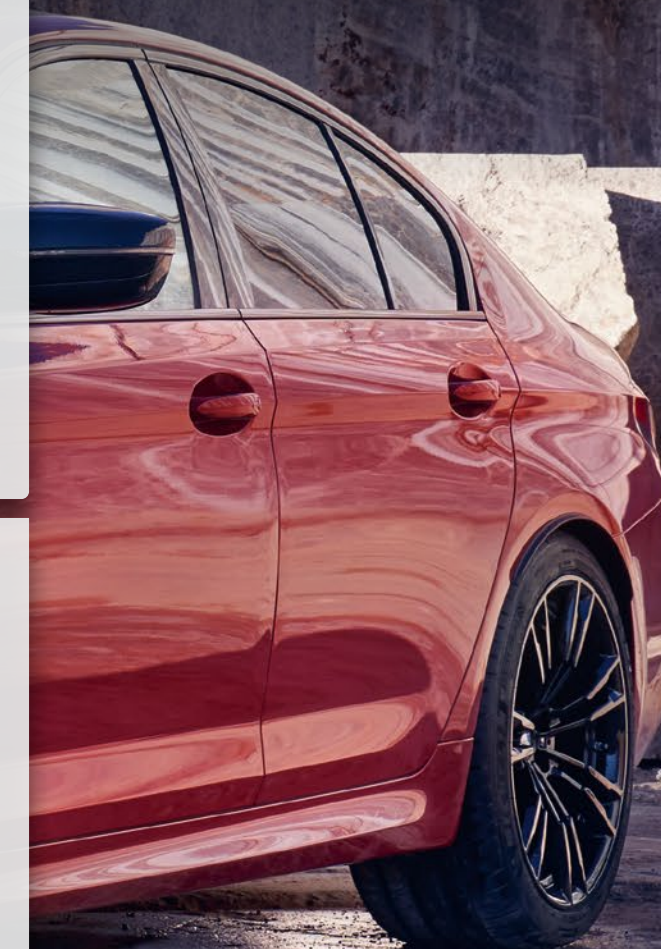
- M multi-functional seats, front
- Full Merino leather upholstery
- Galvanic embellisher for controls
- Red Start/Stop button
- Headlining, BMW Individual Anthracite Alcantara
- Interior trim, Aluminium Carbon structure with Pearl Chrome highlight
- M seat belts
- M leather steering wheel
- Seat adjustment – front, electric with memory
- Lumbar support, front
- Seat heating, front
- Ambient lighting
- Door sill finishers illuminated with M5 Competition designation
- Floor mats, front and rear in Black velour with M piping

## SAFETY & TECHNOLOGY

- M xDrive – rear-biased M-specific xDrive setup
- Adaptive suspension with Dynamic Damper Control
- Eight-speed M Steptronic sport automatic transmission with DRIVELOGIC
- M Servotronic steering
- M Head-up Display
- Engine cover with 'M' designation
- Active Guard
- Adaptive LED headlights
- High-beam Assistant
- Comfort Access
- Driving Assistant
- Parking Assistant Plus
- Drive Recorder
- BMW M TwinPower Turbo eight-cylinder petrol engine
  - High-precision injection
  - VALVETRONIC with Double-VANOS
  - Twin TwinScroll turbo

## AUDIO & COMMUNICATION

- BMW Live Cockpit Professional, comprising:
  - 12.3" Control Display with Touch Functionality
  - 12.3" Digital Instrument Display
  - BMW Intelligent Personal Assistant
  - BMW Navigation system
  - BMW Operating System 7.0
  - Digital Driver Cockpit
  - Intelligent Functionalities
  - Remote Software Upgrade
- Loudspeaker system - harman/kardon
- BMW Gesture Control
- Connected Package Professional
- Enhanced Bluetooth with wireless charging
- WiFi hotspot preparation
- iDrive Touch Controller with shortcut buttons

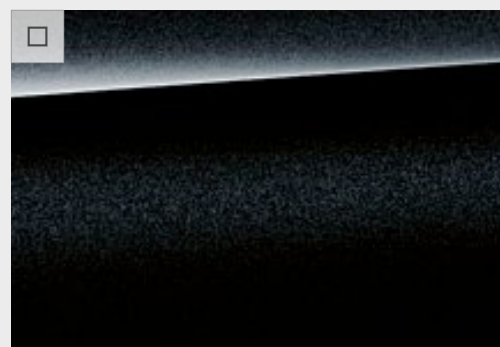




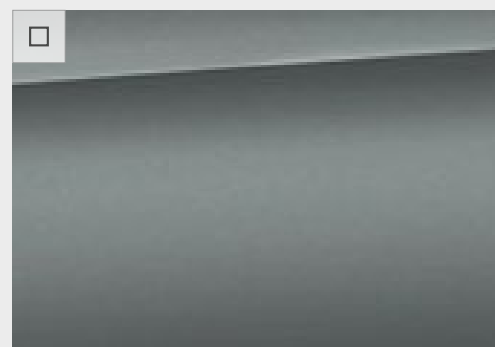
## EXTERIOR COLOURS.



Non-metallic Alpine White



Metallic Black Sapphire



Metallic Bluestone



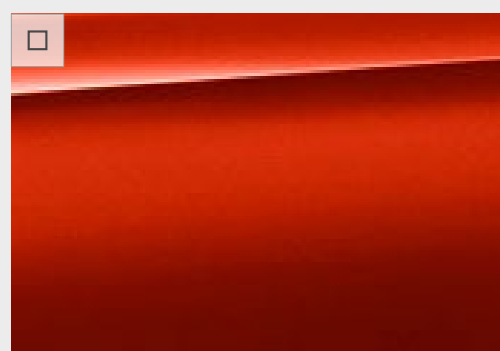
Metallic Brands Hatch Grey



Metallic Donington Grey<sup>1</sup>



Metallic Marina Bay Blue



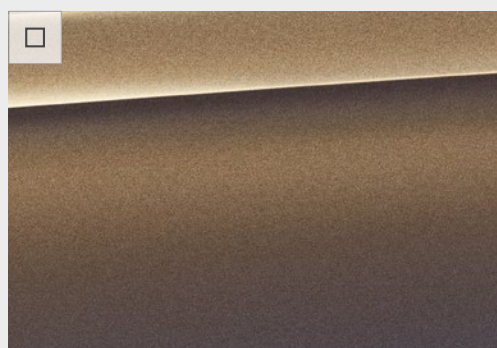
Metallic Moteji Red



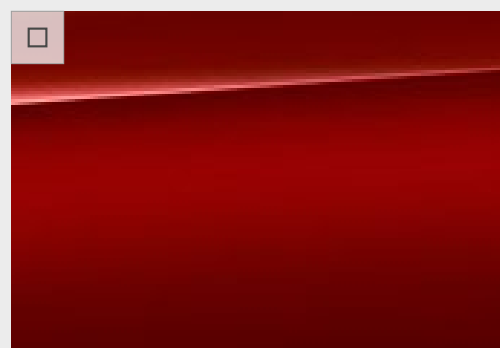
Metallic Snapper Rocks Blue

<sup>1</sup> = The function of Lane Change Assistant, as part of Driving Assistant Professional, will be deactivated when ordered in combination with Donington Grey metallic or BMW Individual Special request paintwork.

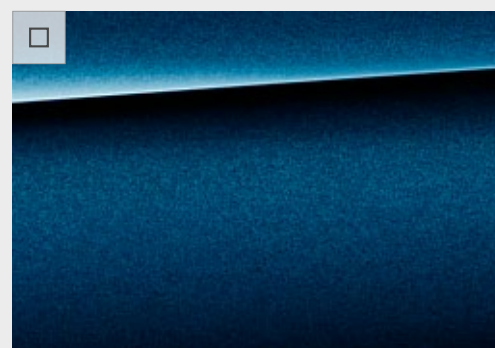
## BMW INDIVIDUAL.



Metallic Alvite Grey



Metallic Aventurine Red



Metallic Tanzanite Blue

**Colour samples** These colour samples are intended as an initial guide to the colours and materials available for your BMW. Please discuss your preferred colour choices with your BMW Centre. There you can also see original samples and be assisted with any requests.

■ Standard equipment □ Optional equipment

# UPHOLSTERY & INTERIOR TRIMS.

## FULL MERINO LEATHER.



Black with a Black colour world



Aragon Brown with a Black colour world



Silverstone with a Black colour world

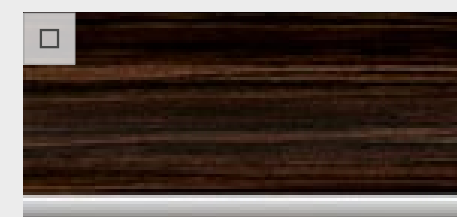


Black with contrast stitching in Midrand Beige

## INTERIOR TRIMS.



Aluminium Carbon Structure with Pearl Chrome highlight



Finewood Fineline Ridge with Pearl Chrome highlight



Aluminium Carbon structure dark with dark Chrome highlight

## BMW INDIVIDUAL FULL MERINO LEATHER.



Smoke White with a Black colour world



Tartufo with a Black colour world

## BMW INDIVIDUAL.



Piano Black

Please note that even normal long or short-term use can lead to permanent upholstery damage. This can be caused in particular by non-colourfast clothing.

■ Standard equipment □ Optional equipment



# PACKAGES.

Optional packages offer an attractive combination of the most popular options at a reduced (combined) cost and will enhance any journey in the new BMW M5 Competition.

## M PRO PACK.

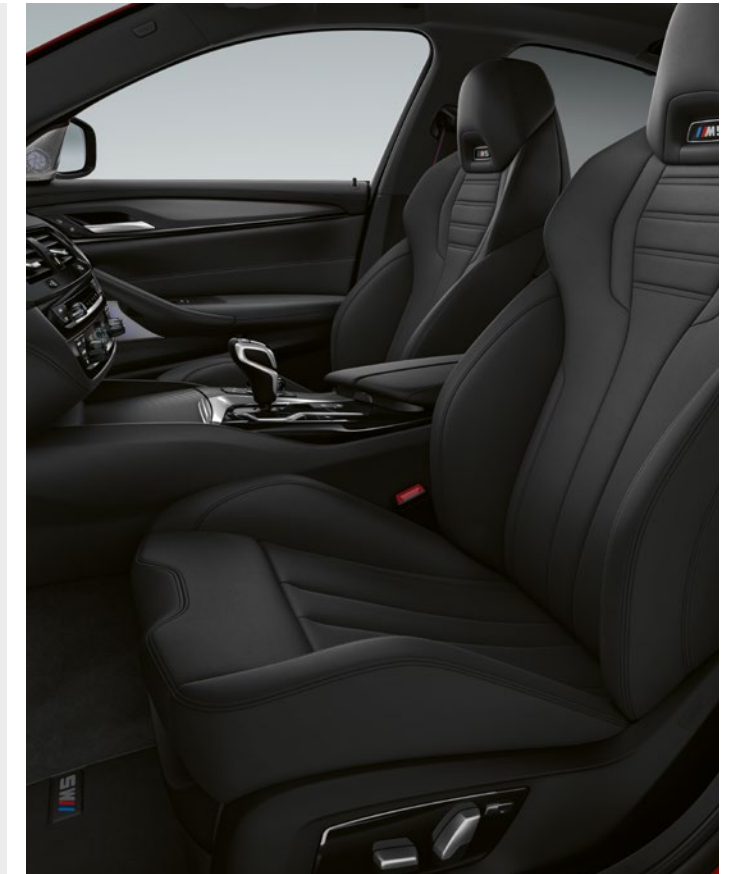
- M Carbon ceramic brakes
- M Driver's Package:
  - Optional BMW Driver Training
  - Top speed increase from 155mph to 189mph (250km/h to 305km/h)

Dependent on conditions and usage, features specific to the materials used can lead to operational noises particularly in wet conditions just before the vehicle comes to a halt. The impact of moisture and road salt can cause the braking action to be equivalent to a conventional brake system. This can for a short time be experienced as a reduction in braking action and can be balanced out by greater pressure on the pedal where necessary. Increase of top speed not available until the running in inspection has been completed. For course-specific information, please visit [www.bmw-drivingexperience.com](http://www.bmw-drivingexperience.com)



## ULTIMATE PACK.

- Active seat ventilation, front
- Ambient Air package
- BMW Laserlights
- Bowers & Wilkins Diamond Surround Sound System
- Driving Assistant Professional
- Massage function, front
- M Carbon ceramic brakes
- M Carbon engine cover
- M Driver's Package
- Rear-seat Entertainment Professional
- Seat heating, front and rear
- Soft close doors
- Steering wheel heating
- TV Function Plus



## TECHNOLOGY PLUS PACK.

- Driving Assistant Professional
- Bowers & Wilkins Diamond Surround Sound System



## ENTERTAINMENT PACK.

- Rear-seat Entertainment Professional
- TV Function Plus



## COMFORT PLUS PACK.

- Active seat ventilation, front
- Ambient Air package
- Massage function, front
- Seat heating, front and rear
- Soft close doors
- Steering wheel heating



## VISIBILITY PACK.

- BMW Laserlights





# OPTIONAL EQUIPMENT HIGHLIGHTS.

## M COMPOUND BRAKES, HIGH-GLOSS BLACK.

Thanks to the use of various materials, the M Compound brakes achieve outstanding deceleration values and are extremely stable and highly durable. The brake calipers in High-gloss Black with M lettering mark the M-specific braking system.

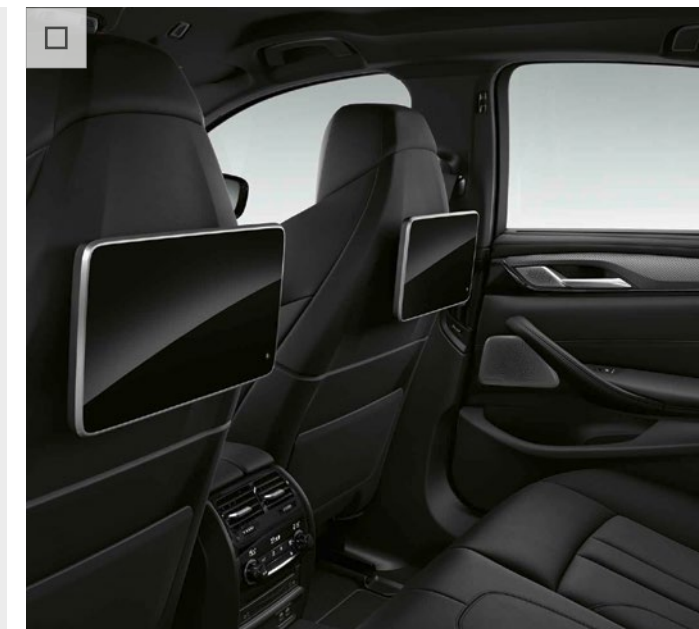
M Compound brakes in High-gloss Blue also available as a no cost alternative.



## REAR-SEAT ENTERTAINMENT PROFESSIONAL.

Rear-seat Entertainment Professional includes two separate 10.2" colour screens, that can be tilted, and a Blu-ray drive. This makes it possible to use the navigation system or the internet while on the road (with an existing mobile phone contract). Features remote control, USB port and ports for MP3 players, games consoles and headphones (including wireless headphones).

Exclusively available as part of Ultimate Pack and Entertainment Pack.



## DRIVING ASSISTANT PROFESSIONAL.

Driving Assistant Professional offers optimum comfort and maximum safety during monotonous or complex driving situations. It comprises:

- Cruise control with approach control
- Speed Limit Assist
- Emergency Stop Assist
- Automatic Speed Limit Assist
- Lane Keeping Assistant
- Lane Change Assistant
- Crossing traffic Warning (front)
- Evasion Aid
- Crossroads Warning with city braking function
- Wrong-way Warning
- Traffic light recognition
- Steering and Lane Control Assistant
- Adaptive Distance Control
- Active Lane Guidance

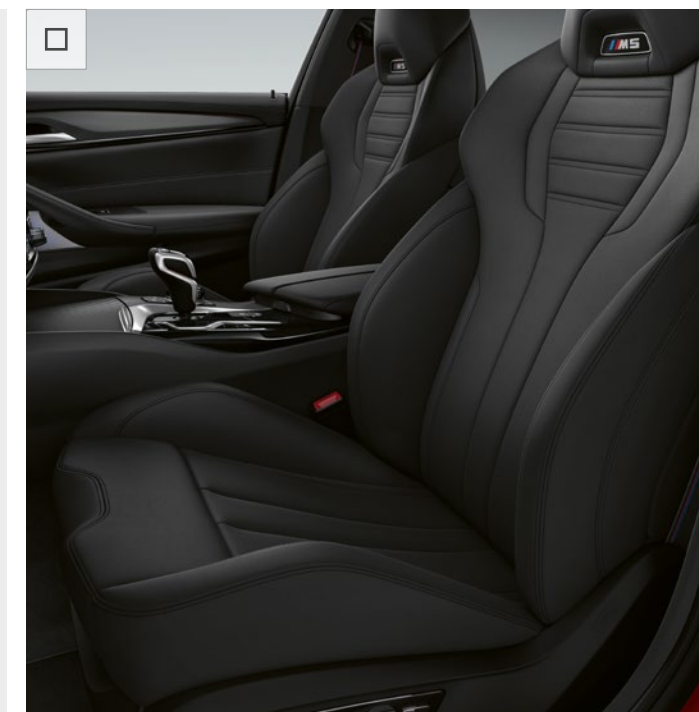
Exclusively available as part of Ultimate Pack and Technology Plus Pack.



## MESSAGE FUNCTION, FRONT.

The Massage function for driver and front passenger improves the physical wellbeing by stimulating or relaxing certain muscle groups. There are eight massage programmes each with three intensity levels for muscle activation and relaxation.

Included in the Ultimate Pack and Comfort Plus Pack.



## M DRIVER'S PACKAGE.

The M Driver's Package increases the top speed from 155mph to 189mph (250km/h to 305km/h). The increased top speed is not available until the running-in inspection has been completed. A voucher for a one-day BMW M race track training evening from BMW Driving Experience is also included. For course-specific information, please visit [www.bmw-drivingexperience.com](http://www.bmw-drivingexperience.com).

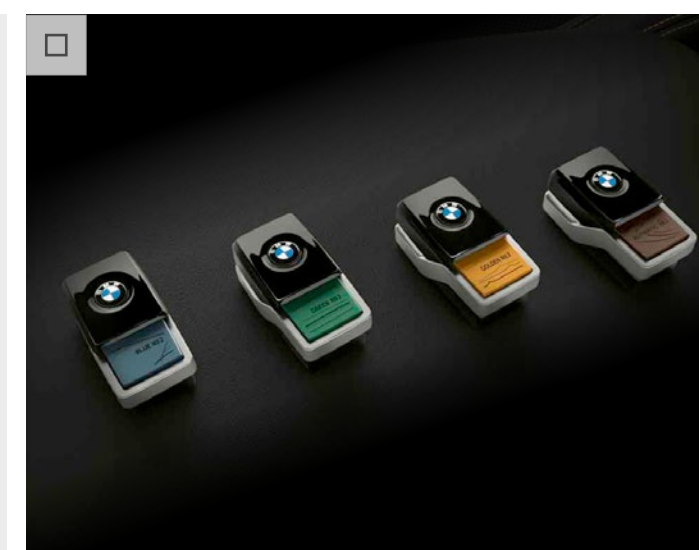
Exclusively available as part of Ultimate Pack and M Pro Pack.



## AMBIENT AIR PACKAGE.

At the push of a button, the Ambient Air package fills the interior of the car with a subtle, pleasant fragrance. A selection of fragrances are available, all specially composed for the vehicle. The starter kit contains two scents: Blue Suite No.1 and Golden Suite No.2.

Exclusively available as part of Ultimate Pack and Comfort Plus Pack.



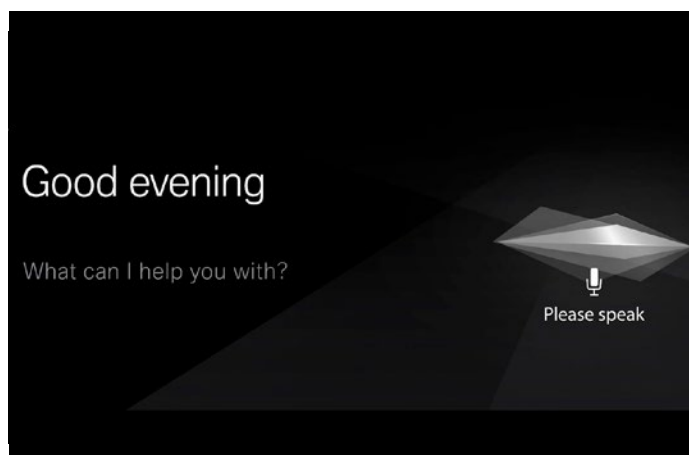


# BMW CONNECTED DRIVE.

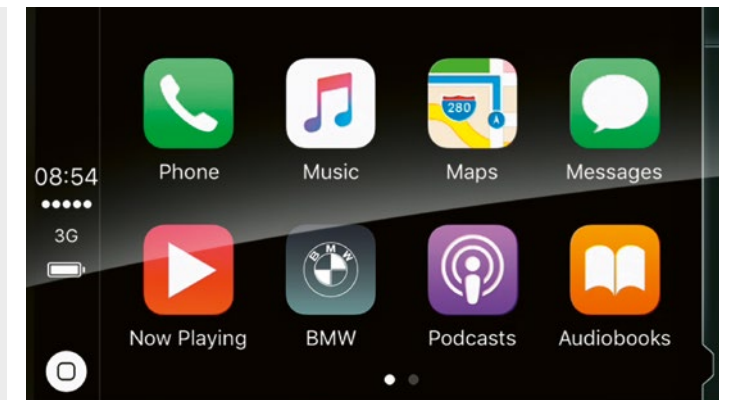
BMW ConnectedDrive enables you to remain connected to the outside world from the comfort of your BMW.



- **BMW LIVE COCKPIT PROFESSIONAL.**
- **BMW Apps** makes it possible to operate apps such as BMW Connected.
- **BMW Emergency Call** automatically creates a direct link to the local emergency services.
- **BMW Intelligent Personal Assistant** understands natural speech. It interacts with your BMW and has the ability to learn driver preferences.
- **BMW Online Services** provides a seamless integration of personalised BMW Connected mobility-related services.
- **BMW Teleservices** supports the processing of servicing appointments and sends vehicle-specific service data to BMW.
- **Intelligent Functionalities** creates customised rules and learns the driver's habits to enable greater comfort on every journey.
- **Last State Call** transfers vehicle-based data to the BMW Connected App, allowing you to view current mileage, fuel status and other features from your phone.
- **Map updates** automatically updates the maps in your BMW by downloading them over the air.



- **CONNECTED PACKAGE PROFESSIONAL.**
- **BMW Maps** makes route planning easier, anticipates road conditions and provides an estimated time of arrival.
- **Concierge Services** connects the driver to a BMW Call Centre agent around-the-clock.
- **Connected Music** offers unlimited streaming of millions of songs in the vehicle from Spotify.
- **Connected Parking** offers multi-story and on-street parking information in selected cities in the UK and Europe.
- **In-Car Experiences** takes care of you and adapts the interior ambience to suit your mood.
- **Real Time Traffic Information** supplies details about the location and duration of traffic delays.
- **Remote Services** allows you to remain connected to your vehicle from your phone.
- With **Smartphone Integration**, your vehicle supports Apple CarPlay® and Android Auto®. This way you can access your usual apps in the vehicle.



## CONNECTED TEASER.

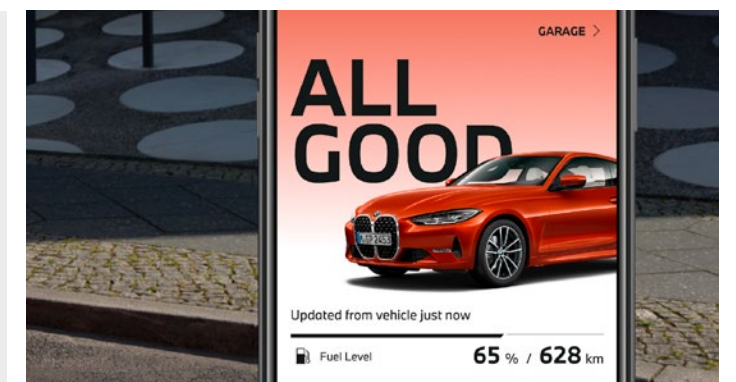
Three month trial of the following service:

- **BMW Music** brings your favourite soundtracks to your BMW.



## MY BMW APP.

The My BMW App is the direct connection inside and outside your BMW. Plan your next trip, check the status of your vehicle or use one of the remote service functions – all conveniently from your smartphone.



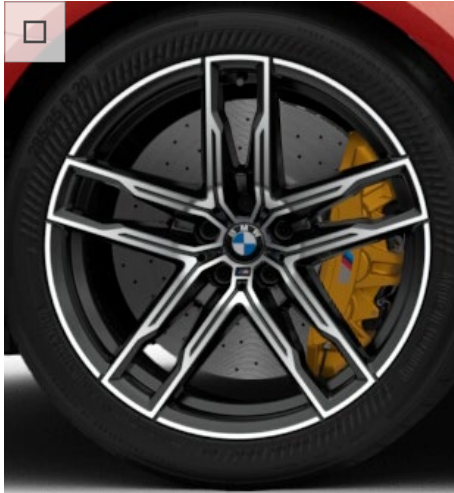


## WHEELS & TYRES.

20" M LIGHT ALLOY Y-SPOKE STYLE 810 M WHEELS, BICOLOUR.

20" M light alloy Double-spoke style 810 M wheels, Bicolour with mixed tyres, front 9.5J x 20 with 275/35 R20 tyres, rear 10.5J x 20 with 285/35 R20 tyres.

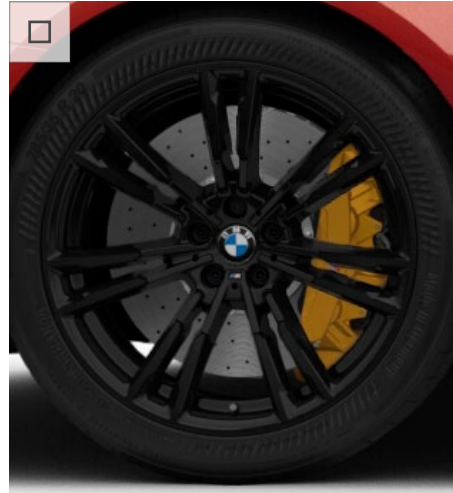
Shown here with optional M Carbon ceramic brakes.



20" M LIGHT ALLOY DOUBLE-SPOKE STYLE 706 M WHEELS, JET BLACK.

20" M light alloy Double-spoke style 706 M wheels, Jet Black with mixed tyres, front 9.5J x 20 with 275/35 R20 tyres, rear 10.5J x 20 with 285/35 R20 tyres.

Shown here with optional M Carbon ceramic brakes.



20" M LIGHT ALLOY Y-SPOKE STYLE 789 M WHEELS, BICOLOUR.

20" M light alloy Y-spoke style 789 M wheels, Bicolour with mixed tyres, front 9.5J x 20 with 275/35 R20 tyres, rear 10.5J x 20 with 285/35 R20 tyres.

Shown here with optional M Carbon ceramic brakes.







M PERFORMANCE REAR SPOILER.



M PERFORMANCE FRONT SPLITTER.



M PERFORMANCE STEERING WHEEL.



20" M PERFORMANCE LIGHT ALLOY Y-SPOKE STYLE 863 M WHEELS, FERRIC GREY.



M PERFORMANCE REAR DIFFUSER.



CARBON SIDE SILL ATTACHMENTS.



# PRICING INFORMATION.



M5 Competition

Basic price (excluding VAT)	£82,975.00
VAT 20%	£16,595.00
RRP (including VAT)	£99,570
On the road price from	£102,325
P11d value – Automatic	£100,420
BIK tax rate (2020 / 2021)	37%
Insurance group	48
RDE2 Compliant (Y / N)	Y

## PRICES AND SPECIFICATIONS

BMW (UK) Limited reserves the right to alter prices and specifications without notice. BMW (UK) Limited has made every effort to ensure the accuracy of information but does not accept liability for any errors or omissions.

### VED RATES

Annual VED (second year onwards), for cars costing over £40,000, is payable for five years. VED rates for brand new cars are determined by their CO<sub>2</sub> emissions figure. First year VED applies to the first year of ownership. Annual VED rates apply thereafter. The new BMW M5 Competition model falls into one of the categories listed below:

CO <sub>2</sub> emissions (g/km)	01-50	51-75	76-90	91-100	101-110	111-130	131-150	151-170	171-190	191-225	226-255	Over 255
First year VED (petrol and RDE2 diesel)	£10	£25	£110	£135	£155	£175	£215	£540	£870	£1,305	£1,850	£2,175
Annual VED – second year onwards (standard rate for petrol and diesel)	£150	£150	£150	£150	£150	£150	£150	£150	£150	£150	£150	£150
Annual VED – second year onwards (petrol and diesel cars over £40,000)	£475	£475	£475	£475	£475	£475	£475	£475	£475	£475	£475	£475

### ON THE ROAD PRICE

The recommended on the road price includes:

Delivery and BMW Emergency Service	£825
Number plates	£25
Vehicle first registration fee	£55
First year Vehicle Excise Duty	See left

These figures may not reflect real life driving results, which will depend upon a number of factors including the accessories fitted (post-registration), variations in weather, driving styles and vehicle load. The CO<sub>2</sub> figures have been determined according to the WLTP test. WLTP has been used as the applicable CO<sub>2</sub> figure from 1 April 2020 for first year vehicle tax (VED) and from 6 April 2020 for company car tax (BIK). The CO<sub>2</sub> figures were previously based on the NEDC equivalent. Insurance group figures refer to 50 Group Rating System.



# TECHNICAL INFORMATION.



M5 Competition

Power output (hp)	625
0-62mph / 0-100km/h (secs)	3.3
Fuel consumption – combined (mpg)*	25.0-25.4
Fuel consumption – combined (l/100km)*	11.3-11.1
CO <sub>2</sub> emissions – combined (g/km)*	258-254

CO<sub>2</sub> value will vary dependent on vehicle specification. Build your BMW and view the CO<sub>2</sub> figure for your chosen model [here](#). \* = Figures shown are for comparability purposes; only compare fuel consumption and CO<sub>2</sub> figures with other cars tested to the same technical procedures. These figures may not reflect real life driving results, which will depend upon a number of factors including the accessories fitted (post-registration), variations in weather, driving styles and vehicle load. The CO<sub>2</sub> figures shown above have been determined according to the WLTP test. WLTP has been used as the applicable CO<sub>2</sub> figure from 1 April 2020 for first year vehicle tax (VED) and from 6 April 2020 for company car tax (BIK). The CO<sub>2</sub> figures were previously based on the NEDC equivalent.



# OPTIONAL EQUIPMENT PRICING.



M5 Competition

Price

## PAINTWORK

Metallic Available in Black Sapphire, Bluestone, Brands Hatch Grey, Donington Grey <sup>1</sup> , Marina Bay Blue, Motegi Red or Snapper Rocks Blue	<input type="checkbox"/>	£0
Non-metallic Available in Alpine White	<input checked="" type="checkbox"/>	Std
BMW Individual Available in Alvide Grey, Aventurine Red or Tanzanite Blue	<input type="checkbox"/>	£1,095
BMW Individual Special request paintwork <sup>1</sup>	<input type="checkbox"/>	POA

## UPHOLSTERY

Full Merino leather Available in Black	<input checked="" type="checkbox"/>	Std
Available in Aragon Brown, Black with contrast stitching in Midrand Beige or Silverstone	<input type="checkbox"/>	£0
BMW Individual Full Merino leather Available in Smoke White or Tartufo	<input type="checkbox"/>	£0

## INTERIOR TRIMS

Aluminium Carbon structure with Pearl Chrome highlight	<input checked="" type="checkbox"/>	Std
Aluminium Carbon structure dark with dark Chrome highlight	<input type="checkbox"/>	£560
Finewood Finline Ridge with Pearl Chrome highlight	<input type="checkbox"/>	£0

## BMW INDIVIDUAL INTERIOR TRIM

Piano Black	<input type="checkbox"/>	£560
-------------	--------------------------	------

## BMW EFFICIENT DYNAMICS

Auto Start-Stop	<input checked="" type="checkbox"/>	Std
Brake Energy Regeneration	<input checked="" type="checkbox"/>	Std
High-precision direct injection	<input checked="" type="checkbox"/>	Std

Individual BMW EfficientDynamics features may be excluded, depending on the optional equipment chosen. Your BMW Centre will be pleased to provide you with more information.

<sup>1</sup> = The function of Lane Change Assistant, as part of Driving Assistant Professional, will be deactivated when ordered in combination with Donington Grey metallic or BMW Individual Special request paintwork. ■ Standard equipment □ Optional equipment - Not available





M5 Competition

Price

PACKAGES

<p><b>COMFORT PLUS PACK</b> Comprises:</p> <ul style="list-style-type: none"> <li>– Active seat ventilation, front</li> <li>– Ambient Air package</li> <li>– Massage function, front</li> <li>– Seat heating, front and rear</li> <li>– Soft close doors</li> <li>– Steering wheel heating</li> </ul>	□	£2,495
<p><b>ENTERTAINMENT PACK</b> Comprises:</p> <ul style="list-style-type: none"> <li>– Rear-seat Entertainment Professional</li> <li>– TV Function Plus</li> </ul>	□	£2,995
<p><b>M PRO PACK</b> Comprises:</p> <ul style="list-style-type: none"> <li>– M Carbon ceramic brakes<sup>1</sup></li> <li>– M Driver's Package<sup>2</sup></li> </ul>	□	£7,995
<p><b>TECHNOLOGY PLUS PACK</b> Comprises:</p> <ul style="list-style-type: none"> <li>– Driving Assistant Professional</li> <li>– Bowers &amp; Wilkins Diamond Surround Sound System</li> </ul>	□	£4,995
<p><b>ULTIMATE PACK</b> Comprises:</p> <ul style="list-style-type: none"> <li>– Active seat ventilation, front</li> <li>– Ambient Air package</li> <li>– BMW Laserlights</li> <li>– Bowers &amp; Wilkins Diamond Surround Sound System</li> <li>– Driving Assistant Professional</li> <li>– Massage function, front</li> <li>– M Carbon ceramic brakes<sup>1</sup></li> <li>– M Carbon engine cover</li> <li>– M Driver's Package<sup>2</sup></li> <li>– Rear-seat Entertainment Professional</li> <li>– Seat heating, front and rear</li> <li>– Soft close doors</li> <li>– Steering wheel heating</li> <li>– TV Function Plus</li> </ul>	□	£19,000
<p><b>VISIBILITY PACK</b> Comprises:</p> <ul style="list-style-type: none"> <li>– BMW Laserlights</li> </ul>	□	£1,000

<sup>1</sup> = Dependent on conditions and usage, features specific to the materials used can lead to operational noises particularly in wet conditions just before the vehicle comes to a halt. The impact of moisture and road salt can cause the braking action to be equivalent to a conventional brake system. This can for a short time be experienced as a reduction in braking action and can be balanced out by greater pressure on the pedal where necessary. <sup>2</sup> = Increase of top speed not available until the running in inspection has been completed. For course-specific information, please visit [www.bmw-drivingexperience.com](http://www.bmw-drivingexperience.com)





M5 Competition

Price

## SAFETY & TECHNOLOGY

<p>Driving Assistant Comprises:</p> <ul style="list-style-type: none"> <li>- Approach Control Warning with city braking function</li> <li>- Crossing-traffic Warning, rear</li> <li>- Lane Change Warning</li> <li>- Lane Departure Warning</li> <li>- Rear collision prevention</li> <li>- Speed Limit Info with no-overtaking indicator</li> </ul>	■	Std
<p>Driving Assistant Professional Comprises:</p> <ul style="list-style-type: none"> <li>- Active Lane guidance</li> <li>- Adaptive Distance Control</li> <li>- Automatic Speed Limit Assist</li> <li>- Crossing traffic Warning, front</li> <li>- Crossroads Warning with city braking function</li> <li>- Cruise control with approach control</li> <li>- Emergency Stop Assist</li> <li>- Evasion Aid</li> <li>- Lane Change Assistant</li> <li>- Speed Limit Assist</li> <li>- Steering and Lane Control Assistant</li> <li>- Traffic light recognition</li> <li>- Wrong-way Warning</li> </ul> <p>Only with Ultimate Pack / Technology Plus Pack</p>	□	n/a
<p>Drive Recorder<sup>1</sup> Comprises:</p> <ul style="list-style-type: none"> <li>- Event recorder</li> <li>- Crash recorder</li> </ul>	■	Std
<p>Parking Assistant Plus Comprises:</p> <ul style="list-style-type: none"> <li>- Active Park Distance Control</li> <li>- Lateral parking aid</li> <li>- Park Distance Control</li> <li>- Parking Assistant</li> <li>- Rear-view camera</li> <li>- Remote 3D View</li> <li>- Reversing Assistant</li> <li>- Surround view</li> </ul>	■	Std

## EXTERIOR EQUIPMENT

M Compound brakes, High-gloss Black	□	£0
M Compound brakes, High-gloss Blue	□	£0
Trailer towbar	□	£995

Only with = these options must be ordered together. <sup>1</sup> = Please note that heavy accidents with hard disc damages or camera damages are owing to circumstances where videos may not be recorded or saved.

■ Standard equipment □ Optional equipment - Not available





M5 Competition

Price

## AUDIO & COMMUNICATION

BMW Emergency Call <sup>1</sup>	■	Std
BMW Live Cockpit Professional Comprises: – 12.3" Control Display with Touch Functionality – 12.3" Digital Instrument Display – BMW Intelligent Personal Assistant <sup>2</sup> – BMW Operating System 7.0 – iDrive Controller with Touch Function – Intelligent Functionalities <sup>2</sup> – Remote Software Upgrade <sup>2</sup> For further details, see <a href="#">BMW ConnectedDrive</a>	■	Std
BMW Online Services <sup>2, 3</sup> Comprises: – BMW Apps – BMW Online Services – Last State Call <sup>1, 2</sup> – USB and Over-the-air Map Updates	■	Std
BMW TeleServices <sup>1</sup>	■	Std
Connected Package Professional <sup>2, 3</sup> Comprises: – BMW Maps – Concierge Services – Connected Music – Connected Parking – Connected Teaser <sup>4, 5</sup> – In-Car Experiences – Real Time Traffic Information – Remote 3D View – Remote Services – Smartphone Integration <sup>1, 6</sup> For further details, see <a href="#">BMW ConnectedDrive</a>	■	Std

## ACCESSORIES

Trackstar S5 <sup>7</sup>	□	£500
---------------------------	---	------

<sup>1</sup> = Available and active without runtime limitations. Usage cannot be guaranteed permanently due to potential future technical developments (of the Service availability and/or Smartphone compatibility/ operating systems). <sup>2</sup> = Requires a free BMW ConnectedDrive account. <sup>3</sup> = Active for 3 years, renewable thereafter at an additional cost. <sup>4</sup> = Includes BMW Music for a three month trial. For further details, see [BMW ConnectedDrive](#). <sup>5</sup> = Available and active for three months. Can be extended or renewed thereafter at an extra cost. <sup>6</sup> = Functions using a data connection will use data from the SIM card in the phone. Additional data charges may be applied by the mobile network provider. Compatibility and functions may vary due to the make and model year of the phone and the version of software installed on it. <sup>7</sup> = Subscription costs apply: 1 year for £168 or 3 years for £399. Please consult your local BMW Centre for further details.





M5 Competition

Price

LIGHT ALLOY WHEELS



20" M Double-spoke style 706 M, Jet Black<sup>1</sup>

□

£0



20" M Double-spoke style 810 M, Bicolour<sup>1</sup>

□

£0



20" M Y-spoke style 789 M, Bicolour<sup>1</sup>

■

Std

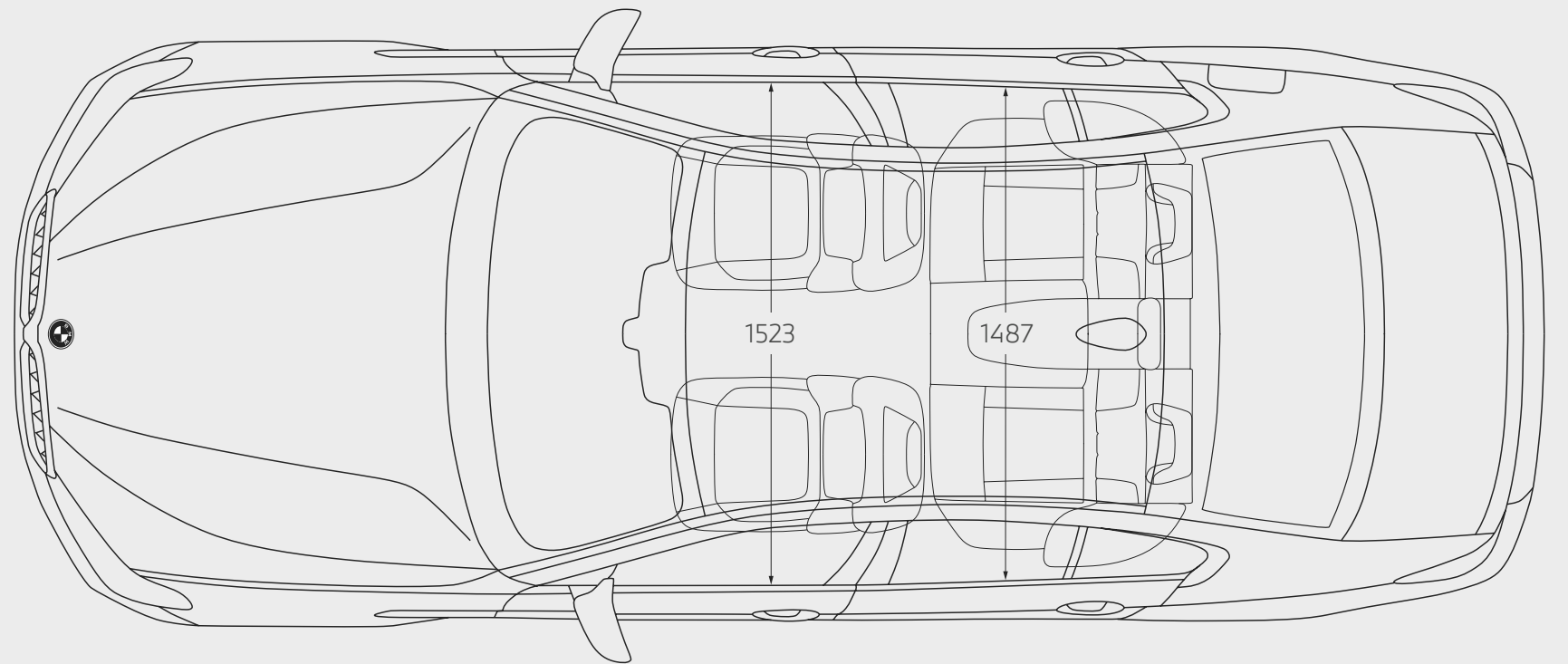
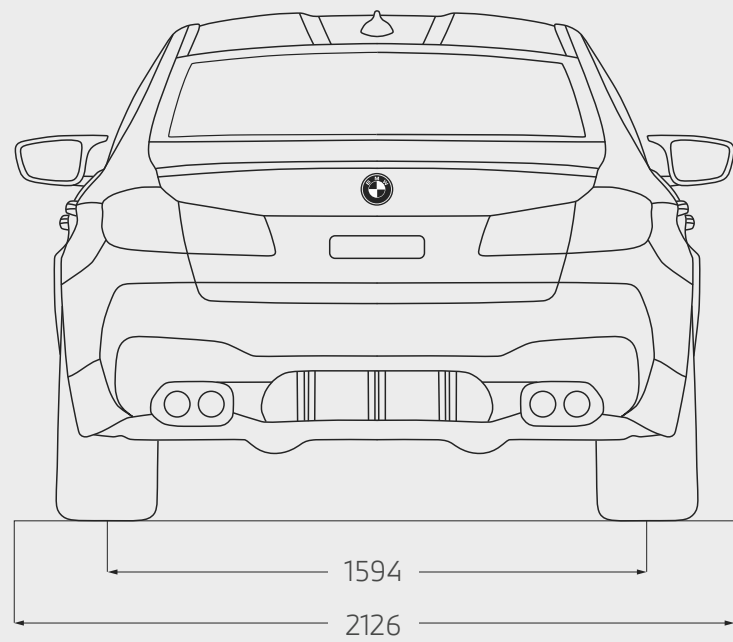
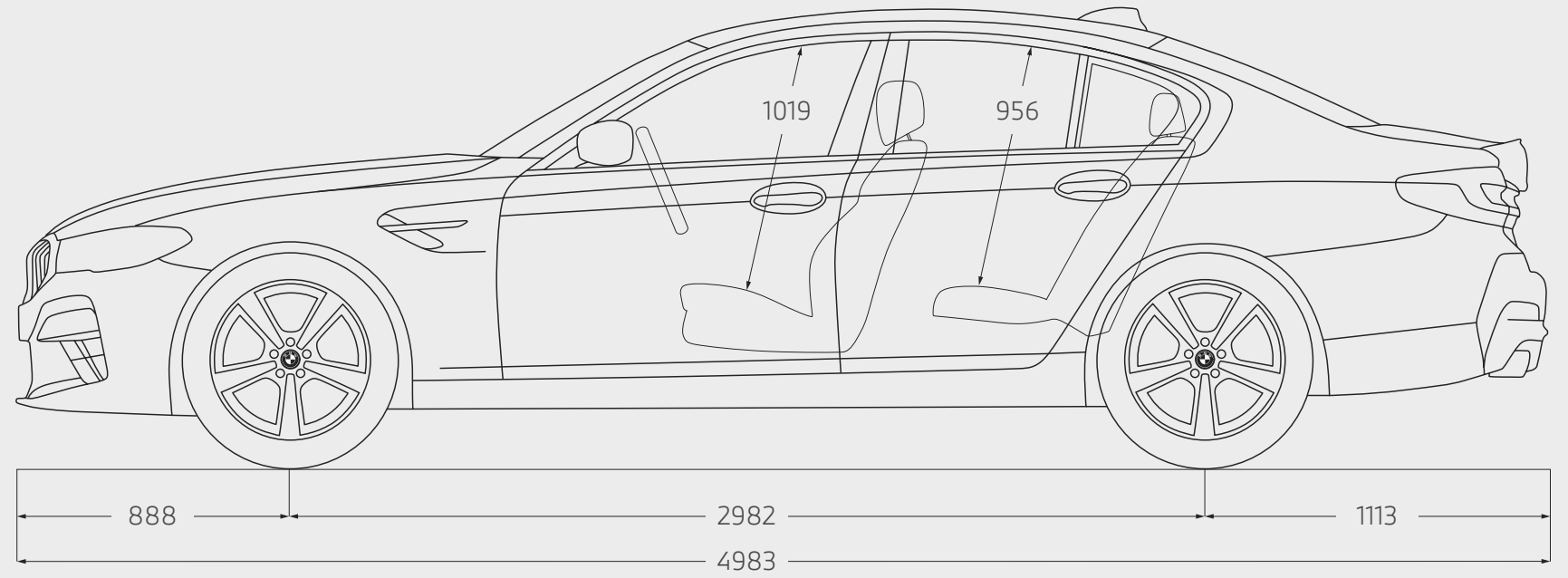
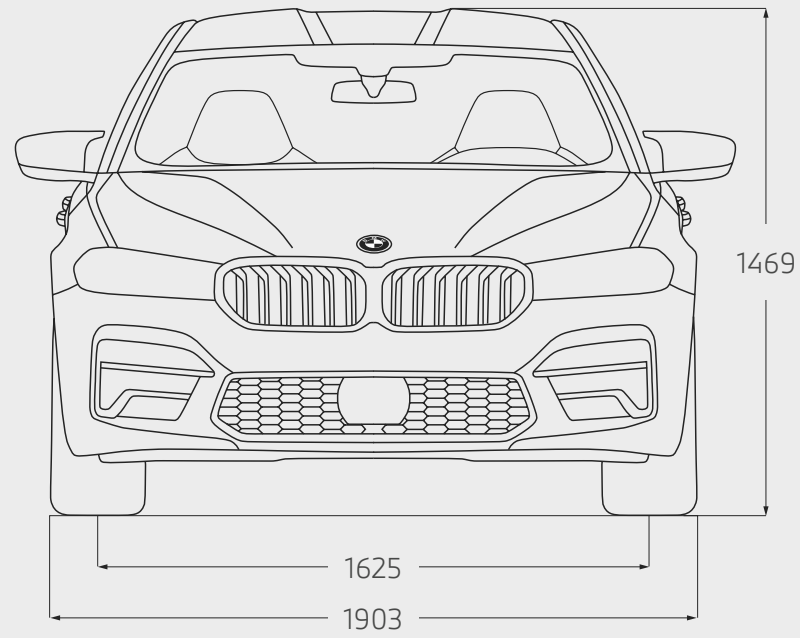
See [Wheels & Tyres](#) for further details. <sup>1</sup> = Shown here with optional M Carbon ceramic brakes.

■ Standard equipment □ Optional equipment - Not available



# DIMENSIONS.

## THE NEW BMW M5 COMPETITION.



Length (mm)	4983	Height (mm)	1469	Number of seats	5	Turning circle (m)	12.6
Width (mm)	1903	Width including mirrors (mm) (Driver / Passenger)	2126 (1069 / 1057)	Wheelbase (mm)	2982	Luggage capacity (litre)	530



# BMW PAY MONTHLY SERVICING.

## SERVICING MADE SIMPLE.

Planning for the road ahead has never been easier. With the BMW Pay Monthly Service Plan<sup>1</sup> you can remove the uncertainty often associated with car servicing costs by spreading them monthly, much like you would your household bills. Our Pay Monthly service plan covers two services and any unused credit can be transferred to another BMW if you decide to switch unexpectedly. As part of the Pay Monthly plan you will also receive a number of added extras including:

- Fluid top ups
- An MOT
- A Wash & Vac each time you visit
- Seasonal health checks
- Sat Nav Map updates

Get the quality service and parts you expect from BMW with a fixed monthly payment. Give your BMW the care and attention it deserves from the experts that made it.

**Price (inc. running in service): £45 per month for 36 months**

**Price (without running in service): £35 per month for 36 months**

Please contact your preferred BMW Centre for further information.



<sup>1</sup> = Participating BMW Centres only. Two services must be claimed within four years or 40,000 miles, whichever occurs soonest. Content correct at time of publishing. Prices subject to change.



# BMW CONNECTED DRIVE SERVICES.

BMW ConnectedDrive keeps driver and vehicle connected with the outside world. Digital services, driver-focused technologies and driver assistance systems provide more comfort, more entertainment and more safety. Increase your driving pleasure – with BMW ConnectedDrive.

For further information on BMW ConnectedDrive and the General Terms and Conditions of Service for ConnectedDrive, please see: [www.bmw.co.uk/connecteddrive-information](http://www.bmw.co.uk/connecteddrive-information)

The BMW ConnectedDrive Hotline is available on: +44 (0) 800 561 0555 from Monday to Friday 8am – 7pm and Saturday to Sunday 9am – 5pm.

## CONNECTED DRIVE SERVICES DURATION

BMW Music	3 month trial
BMW Apps	3 years
BMW Intelligent Personal Assistant	3 years
BMW Maps	3 years
BMW Online Services	3 years
Concierge Services	3 years
Connected Music	3 years
Connected Parking	3 years
Intelligent Functionalities	3 years
Map Updates	3 years
Real Time Traffic Information	3 years
Remote Services	3 years
Remote Software Upgrade	3 years
BMW Emergency Call	Active without runtime limitations
BMW TeleServices	Active without runtime limitations
Last State Call	Active without runtime limitations
Smartphone Integration	Active without runtime limitations

## GENERAL INFORMATION

BMW (UK) Ltd, Summit ONE, Summit Avenue, Farnborough, Hampshire, GU14 0FB (hereinafter referred to as "BMW") provides the customer with certain vehicle-related information and assistance functions (hereinafter called "Services") under the name of "BMW ConnectedDrive". BMW collects, stores or processes car-related data in compliance with applicable law and only to the extent necessary to provide the Services. BMW does not collect, store or process personal data in course of the Services – except where this is explicitly stated in the service description of the individual Services. In the case of Services that require personal data to be collected, stored and processed so that such Services can actually be provided, BMW informs customers of this in advance by providing this data protection notice. The Services are provided by means of a SIM card installed in the vehicle.

## DEACTIVATION

You can have the BMW ConnectedDrive services deactivated through an authorised BMW centre, a BMW subsidiary or a BMW authorised workshop at any time. This also has the consequence that aspects of the emergency call in the vehicle as well as all remaining Services will no longer function.

You can additionally arrange for the remaining Services to be deactivated via "My BMW ConnectedDrive".

If the vehicle is equipped with the legally required EU Emergency Call (as from April 2018) a deactivation of the BMW ConnectedDrive basic services will not deactivate the vehicle's built-in SIM card. It has to remain active, so that the EU Emergency Call is functional all the time.

Services that are available and active without runtime limitations, cannot be guaranteed for permanent usage due to potential future technical developments (of the Service availability and/or Smartphone compatibility/ operating systems).







READY TO TAKE THE NEXT STEP?

